

Features

- Rounded vanity frame with decorative parting line details
- Carved, integrated drawer pulls
- Top drawers are false front
- Bottom drawers are plumbing drawers
- Minimalist floating installation
- Removable glass drawer dividers included

Materials & Construction

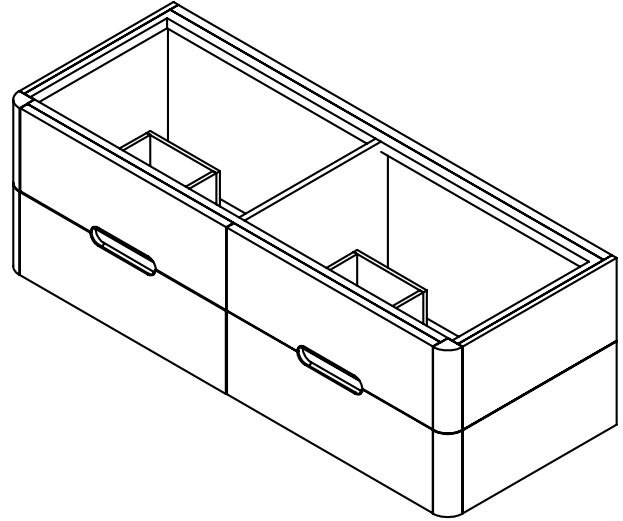
- Solid wood and veneer construction
- Full plywood back panel, no cutout
- Dovetailed drawers
- Blum undermount full extension slow close slides
- Durable, moisture resistant polyurethane finish
- Solid steel mounting brackets

Options

- Available i:
 CVHE60204, Rustic Oak
- Engineered stone tops available:
 TA60UCO93-8CS7
 TA60UCO95-8CS7
 TA60UCO96-8CS7
 TA60UCO97-8CS7
 TA36UCO98-8CS7
 TA36UCO99-8CS7
 TA36UCO100-8CS7
 TA36UCO101-8CS7
- Coordinating mirrors available

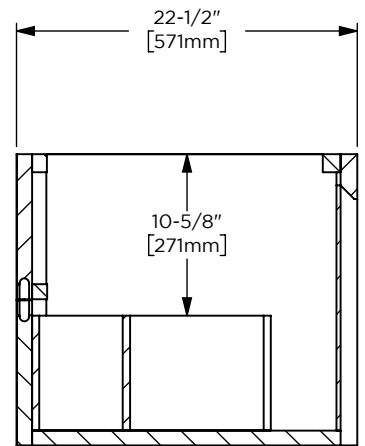
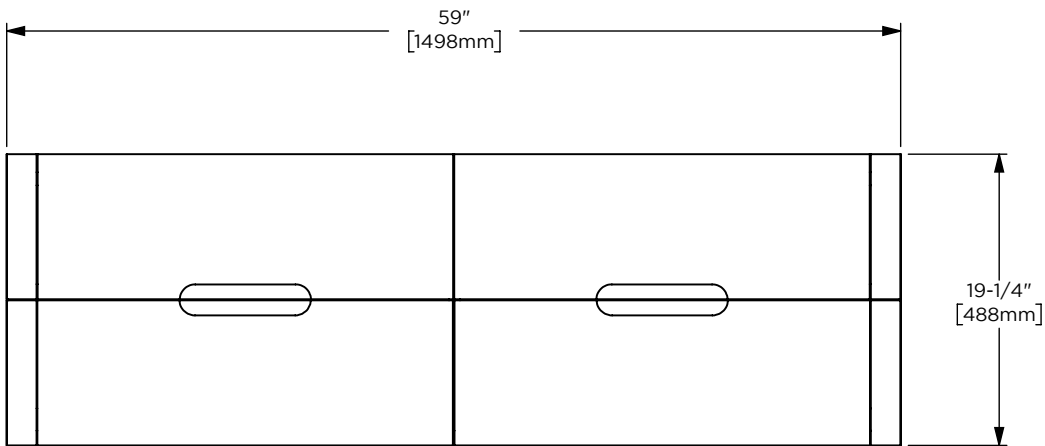
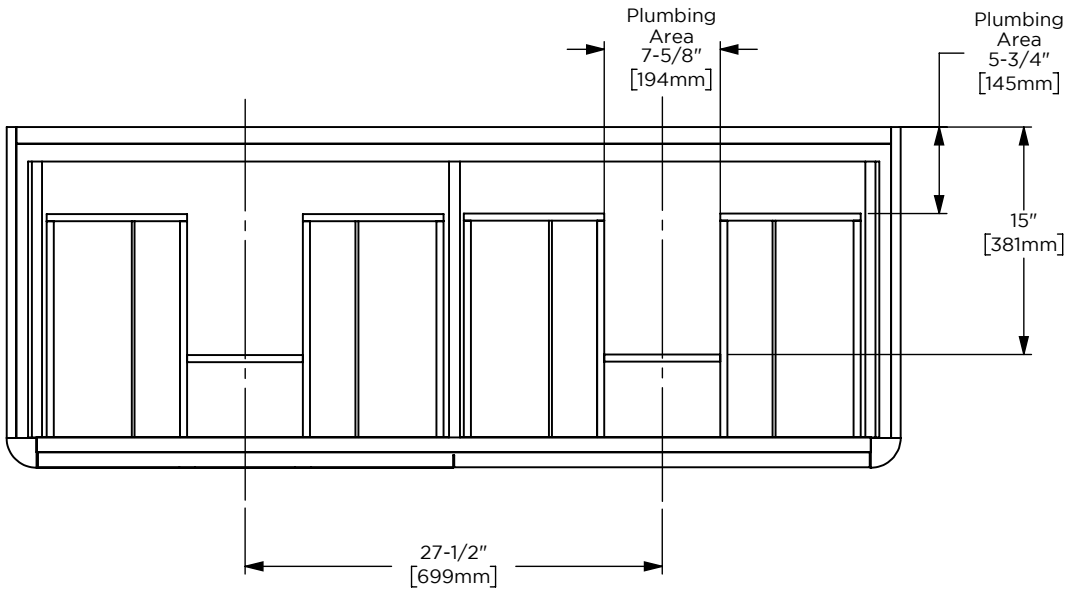
Dimensions

Width: 59"
 Height: 19-1/4"
 Depth: 22-1/2"



Model Number Key

PRODUCT LINE	CATEGORY	COLLECTION	WIDTH	FINISH OPTIONS	OPTIONS
C = Craft Series	V = Vanity	HE = Helden	60"	(See above)	(See above)



Internal Construction